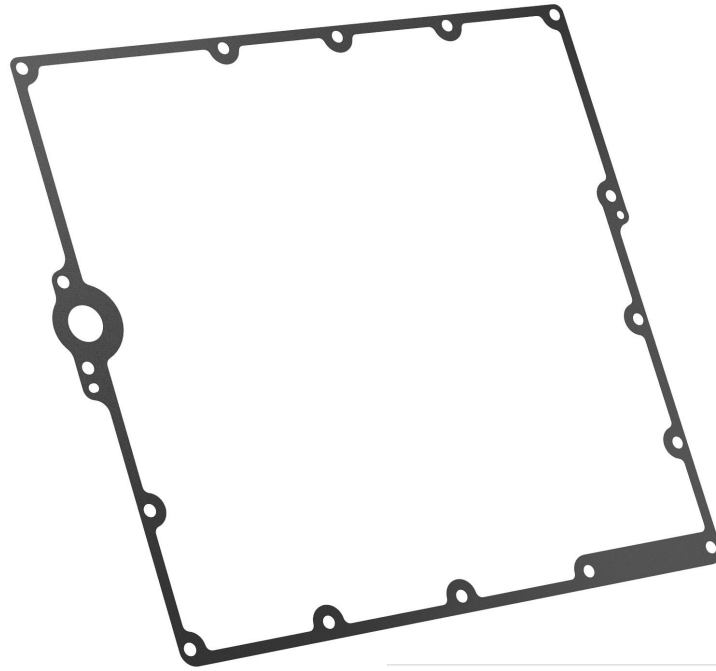


FACT SHEET

MetalSeal™ Gaskets



Varied, robust, adaptable
MetalSeal™ gaskets made by ElringKlinger

The combination of different materials, tailored to meet customer requirements in almost all thinkable applications.

Our MetalSeal™ Gaskets are being used in various ICE as well as e-mobility applications, e.g. thermal management, gearbox housing, stator housing, inverter housing, HV connector and many

more. Full face rubber coated steel is stamped in a cost efficient production process. The coating ensures micro sealing and the coined bead elements ensure the macro sealing function.



ELRINGKLINGER – YOUR PARTNER FOR SEALING SOLUTIONS

Product Development (Design, Engineering and Simulation) – Process Development – Tool Shop –
Tool Sampling/Prototyping – Testing – Change-Management – Series Production – Part Measurement

Technology

This technology offers highest flexibility in terms of raw material and design, always adapted to meet the customer requirements. Furthermore, the MetaloSeal technology is highly resistant against media, temperature and pressure. For further customer benefit functional coatings can be realized, e.g. for improved EMC function or improved corrosion performance.



Benefits

- + Highest flexibility in terms of raw material and design
- + Additional functionality through functional coatings (e.g. improved EMC)
- + High resistance against media, temperature and pressure
- + Cost optimized design compared to other sealing solutions (e.g. smart nesting)
- + Reduced installation space

YOUR CONTACT

ElringKlinger AG

Phone +49 7123 724-0

E-mail info@elringklinger.com

ElringKlinger AG | Max-Eyth-Straße 2 | 72581 Dettingen/Erms | Germany
www.elringklinger.com

The information provided in this document is the result of technological analyses and may be subject to changes depending on the design of the system. We reserve the right to make technical changes and improvements. The information is not binding and does not represent warranted characteristics. We do not recognize any claims for compensation based on this information. We accept no liability for printing errors.



08/23